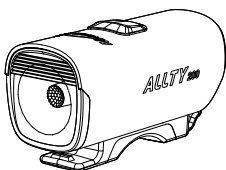


ALLTY 200 USER MANUAL

ACCESSORY/STRUCTURE



ALLTY 200

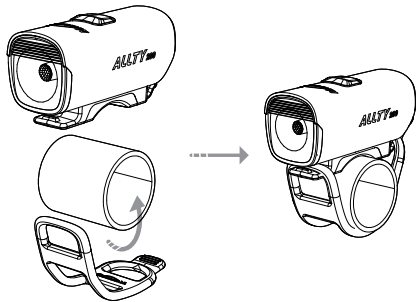


Rubber Strap



USB-C Cable

HOW TO INSTALL



CHARGING/POWER INDICATOR

When the light is off,click the switch to activate battery indicator for 3 seconds.

CHARGING

Charging: Flash red

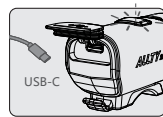
Fully charge: Constant green for 3 minutes

POWER INDICATOR

21%-100%: Constant green

11%-20%: Constant red

0%-10%: Flash red



Standard charging time
Approx.2.5hrs (5V 1A)

OPERATION INSTRUCTIONS

LOCKOUT/UNLOCK

When the light is off, press and hold the switch (over 3 seconds) to access the lockout mode.Under the lockout mode, pressand hold the switch (over 3 seconds) to unlock.

ON/OFF:

Press and hold the switch to turn the light on/off, the default output is the last mode when turned off.

CHANGE BRIGHTNESS LEVEL:

When the light is on, sigle press the switch to change brightness level.The output brightness will cycle through Low→Medium→High→Low... .

CHANGE MODE:

Double press to enter flash mode and single press to select different ways of flashing. And another double press again to go back to the original settings.

LOW POWER MODE:

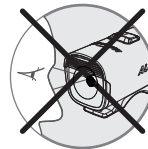
When the battery power is lower than 10%, the light will automatically turn to LOW mode and cannot be adjusted. Charge the light as soon as possible.

LUMENS/RUN TIME

MODE	LOW	MID	HIGH	DAY FLASH	FLASH
LUMENS	50	100	200	0-200	0-100
h:min	10:00	04:30	02:00	42:00	07:30

*All performance measurements in accordance with ANSI/NEMA FL1-2009 Standard. The tests are performed indoors under a room temperature of 25 degrees Celsius with 25KM/H wind conditions.The runtime may vary depending on the external temperature and ventilation conditions, and these biases may affect the results of testing.

WARNING



EN WARRANTY

The Magicshine lighting system is warranted for 24 months from the date of purchase.

If you register the lighting system on the Magicshine website you will receive a bonus 6 month warranty.

Battery packs and AC adapters have a 6 month warranty, however, there is no bonus warranty available.

The warranty is limited to defects in material and workmanship on the lighting system itself, the battery pack and the AC adapter.

The warranty is only valid if the affected parts have not been tampered with and there is no intentional damage. Please keep your proof of purchase in a safe place. Proof of purchase must be presented in the event of any claim. Please contact the specialist retailer from whom you purchased the device for complaint or warranty claim.

Alternatively, you can send your complaint or claim directly to Magicshine at

Tel: (+86) 755-295 536 69

Fax: (+86)755-275 897 77

E-mail: support@magicshine.com (order from Magicshine.com online store)

service@magicshine.com (order from other sales channels)

In the event of a justified warranty claim and delivery of a replacement device, you will only be entitled to a model available when replacing. The manufacturer retains the right to make technical modifications.

ANSI FL 1 STANDARD

